



FOTON

TUNLAND V

BROCHURE



**5-YEAR
UNLIMITED KM WARRANTY**



**5 YEAR/75 000KM
SERVICE PLAN**



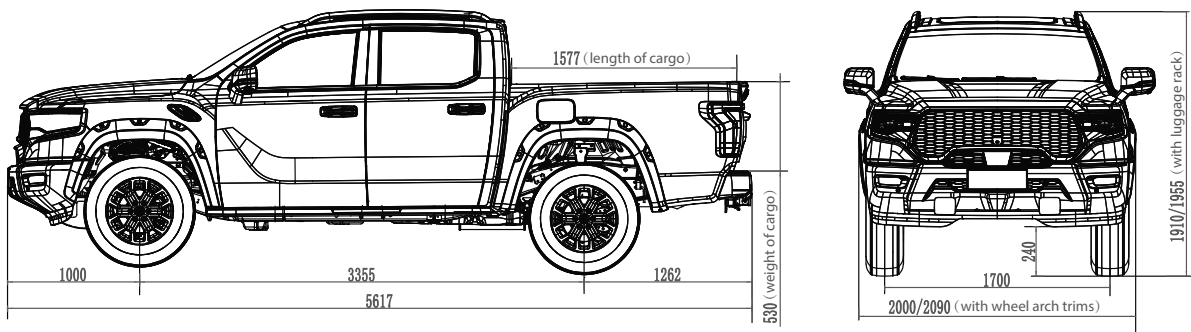
**5 YEAR ROADSIDE
ASSISTANCE**

TUNLAND V

MODEL	TUNLAND V7		TUNLAND V9	
VERSION	V7 VLX 4 x 2	V7 VLX 4 x 4	V9 VLX 4 x 2	V9 LTD 4 x 4
BASIC				
DIMENSIONS L x W x H (MM)	5617 x 2090 x1955	5617 x 2090 x1955	5617 x 2090 x1955	5617 x 2090 x1955
WHEELBASE (MM)	3355	3355	3355	3355
CARGO DIMENSION (MM)	1577 x 1650 x 530	1577 x 1650 x 530	1577 x 1650 x 530	1577 x 1650 x 530
GROUND CLEARANCE (MM)	240	240	240	240
SUSPENSION	FRONT: DOUBLE WISHBONE INDEPENDENT REAR: LEAF SPRING	FRONT: DOUBLE WISHBONE INDEPENDENT REAR: LEAF SPRING	FRONT: DOUBLE WISHBONE INDEPENDENT REAR: MULTI LINK	FRONT: DOUBLE WISHBONE INDEPENDENT REAR: MULTI LINK
LOAD BIN DIMENSIONS (L x W x H)	1577 x 1650 x 530	1577 x 1650 x 530	1577 x 1650 x 530	1577 x 1650 x 530
ENGINE	AUCAN 4F20(UPDATED VERSION) + 48V MOTOR	AUCAN 4F20(UPDATED VERSION) + 48V MOTOR	AUCAN 4F20(UPDATED VERSION) + 48V MOTOR	AUCAN 4F20(UPDATED VERSION) + 48V MOTOR
TRANSMISSION TYPE	8AT	8AT	8AT	8AT
EMISSION STANDARD	EURO IV	EURO IV	EURO IV	EURO IV
DISPLACEMENT (L)	2.0T	2.0T	2.0T	2.0T
POWER	120	120	120	120
RPM	3600	3600	3600	3600
TORQUE (Nm)	450	450	450	450
GVMKG	3030	3055	3055	3055
TOWING CAPACITY (TON)	3.5	3.5	3.5	3.5
FUEL DIESEL	DIESEL + 48V HYBRID	DIESEL + 48V HYBRID	DIESEL + 48V HYBRID	DIESEL + 48V HYBRID
FUEL TANK CAPACITY	76L	76L	76L	76L
FUEL CONSUMPTION	9L/100KM	9L/100KM	9L/100KM	9L/100KM
TARE/KG	2160	2255	2210	2305
POWER SOCKET	220V	220V	220V	220V
CHASSIS				
ENGINE GUARD PLATE	●	●	●	●
REAR AXLE ELECTRONICALLY CONTROLLED DIFFERENTIAL LOCK	—	●	—	●
FRONT AXLE ELECTRONICALLY CONTROLLED DIFFERENTIAL LOCK	—	●	—	●
PADDLE SHIFTER	●	●	●	●
HYDRAULIC POWER STEERING	●	●	—	—
ELECTRONIC POWER STEERING	—	—	●	●
FRONT SUSPENSION	DOUBLE WISHBONE INDEPENDANT	DOUBLE WISHBONE INDEPENDANT	DOUBLE WISHBONE INDEPENDANT	DOUBLE WISHBONE INDEPENDANT
REAR SUSPENSION	LEAF SPRING NON- INDEPENDANT SUSPENSION	LEAF SPRING NON- INDEPENDANT SUSPENSION	MULTI-LINK INTEGRAL BRIDGE NON- INDEPENDANT SUSPENSION	MULTI-LINK INTEGRAL BRIDGE NON- INDEPENDANT SUSPENSION
REAR TOWING BEAM	●	●	●	●
ELECTRICAL INTERFACE	●	●	●	●
TYRE				
SIZE	265/70R18	265/70R18	265/70R18	265/70R18
ALLUMINUM ALLOY	●	●	●	●
SPARE TYRE (STEAL RIM)	FULL SIZE	FULL SIZE	FULL SIZE	FULL SIZE
BRAKE TYPE				
FRONT AND REAR VENTILATED DISC	●	●	●	●
ANTH-LOCK BRAKE SYSTEM (ABS)				
ANTH-LOCK BRAKE SYSTEM (ABS)	●	●	●	●
ELECTRONIC BRAKE FORCE DISTRIBUTION (EBD)				
ELECTRONIC BRAKE FORCE DISTRIBUTION (EBD)	●	●	●	●
VEHICLE DYNAMIC CONTROL (VDC)				
VEHICLE DYNAMIC CONTROL (VDC)	●	●	●	●
TRACTION CONTROL SYSTEM(TCS)				
TRACTION CONTROL SYSTEM(TCS)	●	●	●	●
HYDRAULIC BRAKE ASSIST (HBA)				
HYDRAULIC BRAKE ASSIST (HBA)	●	●	●	●

MODEL	TUNLAND V7			TUNLAND V9
VERSION	V7 VLX 4 x 2	V7 VLX 4 x 4	V9 VLX 4 x 2	V9 LTD 4 x 4
INTERIOR AND EXTERIOR				
FRONT LIGHTS (LED HEADLIGHTS)	●	●	●	●
HEADLIGHT HEIGHT ADJUSTMENT	●	●	●	●
AUTO SENSING HEADLIGHTS	●	●	●	●
LED DAYTIME RUNNING LIGHTS	●	●	●	●
HALOGEN FRONT FOG LIGHTS(HDC) WITH AUXILLARY LIGHTING	●	●	●	●
EXTERIOR MIRROR				
COLOR CODED	●	●	●	●
ELECTRIC ADJUSTMENT	●	●	●	●
ELECTRIC FOLDING	●	●	—	●
WITH LED TURN SIGNAL	●	●	●	●
SIDE TRIM EXTERIOR				
RUNNING BOARDS	●	●	●	●
ROOF				
PARORAMIC SUNROOF	—	—	—	●
ROOF RAILS	●	●	●	●
REAR DEMISTER WINDOW	●	●	●	●
CABIN				
12V POWER SUPPLY	●	●	●	●
220V POWER INTERFACE	●	●	●	●
USB INTERFACE	●	●	●	●
WIRELESS CHARGING	●	●	—	●
CENTER ARMREST BOX	●	●	●	●
SEAT				
HIGH GRADE IMITATION LEATHER	●	●	●	●
MAIN DRIVE ELECTRIC 10- WAY (INCLUDING 4 WAY LUMBAR SUORT)	●	●	●	●
PASSENGER ELECTRIC 4 WAY	●	●	●	●
VENTILATED FRONT SEATS	—	—	—	●
HEATED SEATS	●	●	●	●
REAR CENTER ARMEST	●	●	●	●
CHILDREN SEAT UPPER ANCHOR POINT	●	●	●	●
CHILDREN SEAT LOWER ANCHOR POINT	●	●	●	●
SAFE BELTS				
PRE TENSIONED FORCE LIMITING HARNESSSES (FRONT)	●	●	●	●
OPENING AND CLOSING PARTS				
BONNET PNEUMATIC STRUTS	●	●	●	●
FOUR DOOR ELECTRIC WINDOWS	●	●	●	●
REMOTE CONTROL KEY DOWN WINDOW	●	●	●	●
DRIVER WINDOW ONE BUTTON LIFT WITH ANTI PINCH	●	●	●	●
BRAKE (PARKING FUNCTION)				
ELECTRONIC PARKING (EP8)	●	●	●	●
BRAKE ASSIST (BA)	●	●	●	●
BRAKE PRIORITY BOS	●	●	●	●

SIDE MIRRORS



SILVER



BLACK



BLUE



RED



GREEN



PURPLE



GREY



WHITE

TUNLAND V

MODEL	TUNLAND V7		TUNLAND V9	
VERSION	V7 VLX 4x2	V7 VLX 4x4	V9 VLX 4x2	V9 LTD 4x4
	LOAD BIN			
TAILGATE LOCK	●	●	●	●
TAILGATE HYDRAULIC SLOW DOWN	●	●	●	●
TAILGATE STEP	—	—	●	●
	LOCK AND KEY			
INTELLIGENT KEY	2	2	2	2
KEYLESS ENTRY	●	●	●	●
REMOTE CONTROL CENTRAL LOCK	●	●	●	●
	INTELLIGENT NETWORKING			
PEDESTRIAN PROTECTION	●	●	●	●
DUAL AIRBAGS	●	●	●	●
SIDE AIRBAGS	●	●	●	●
SIDE AIR CURTAINS	●	●	●	●
ANTI THEFT FUNCTION (ENGINE)	●	●	●	●
ANTI THEFT FUNCTION (BODY)	●	●	●	●
TIRE PRESSURE MONITORING	●	●	●	●
CUSTOMISABLE FULL LCD INSTRUMENT INCLUDING (NAVIGATION / SYSTEM INFO ACC / BLUETOOTH/ENTERTAINMENT)	●	●	●	●
14.6 INCH INFOTAINMENT SCREEN	●	●	●	●
SPEAKER NUMBER	6	6	6	6
WIRELESS CHARGING	●	●	●	●
APPLE CARPLAY	●	●	●	●
BLUETOOTH	●	●	●	●
INTELLIGENT SPEECH RECOGNITION	ENGLISH	ENGLISH	ENGLISH	ENGLISH
DUAL ZONE AUTOMATIC AIRCONDITION WITH REAR DUCTING	●	●	●	●
PM 2.5 SYSTEM (WITH FILTER)	●	●	●	●
LONIZER	●	●	●	●
DROWSY DRIVING MONITORING	●	●	●	●
AMBIENT LIGHT STRIP INTERIOR	●	●	●	●
MULTIPLE CONTROL MODES	●	●	●	●
ADAPTIVE CRUISE CONTROL	—	—	—	●
AUTOMATIC EMERGENCY BRAKING	—	—	—	●
FOWARD COLLISION WARNING	●	●	●	●
LANE DEPARTURE WARNING	●	●	●	●
PEDESTRIAN COLLISION WARNING	●	●	●	●
LANE KEEPING ASSIST	—	—	—	●
LANE CENTERING CONTROL	—	—	—	●
TRAFFIC SIGN RECOGNITION	—	—	—	●
TRAFFIC JAM ASSIST	—	—	—	●
INTELLIGENT CRUISE ASSIST	—	—	—	●

MODEL	TUNLAND V7		TUNLAND V9	
	V7 VLX 4 x 2	V7 VLX 4 x 4	V9 VLX 4 x 2	V9 LTD 4 x 4
BLIND SPOT MONITORING	●	●	●	●
LANE CHANGE ASSIST SYSTEM	●	●	●	●
SAFETY WARNING FOR OPEN DOORS	●	●	●	●
REVERSING CROSSING WARNING	●	●	●	●
360° HD SURROUND VIEW + REAL TIME DASH CAM + WELCOME LIGHTS ILLUMINATING THE GROUND	●	●	●	●
CRUISE CONTROL	●	●	●	WITH ACC (ADAPTIVE CRUISE CONTROL)
REMOTE CONTROL CENTRAL LOCK	●	●	●	●
FRONT PDC	●	●	●	●
REAR RDC	●	●	●	●
3 DRIVING MODES	●	—	●	—
7 DRIVING MODES	—	●	—	●